

Single-Shaft Shredder HR Series

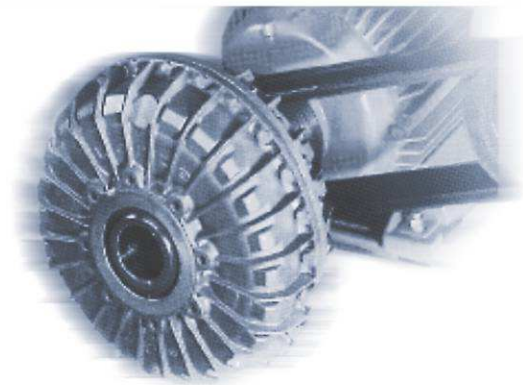


- **Sturdy design appropriate even for heavy duty applications**
- **Large range of applications for various materials**
- **Energy-efficient drive technology**
- **Interval- and quantity-controlled cutting process**
- **Easy to maintain, quick change of the screen, knives can be reused several times**

Innovative Technology

Typical fields of application

- in recycling companies for bales of film, and big lumps
- in film-producing companies for rejects caused by a multi-layer feed introduced in piles
- in injection moulding and blow moulding companies for large hollow bodies
- für problem materials such as rejects of sintered semifinished products
- for thickwalled pipes ...
- for cable recycling
- for post-consumer waste treatment



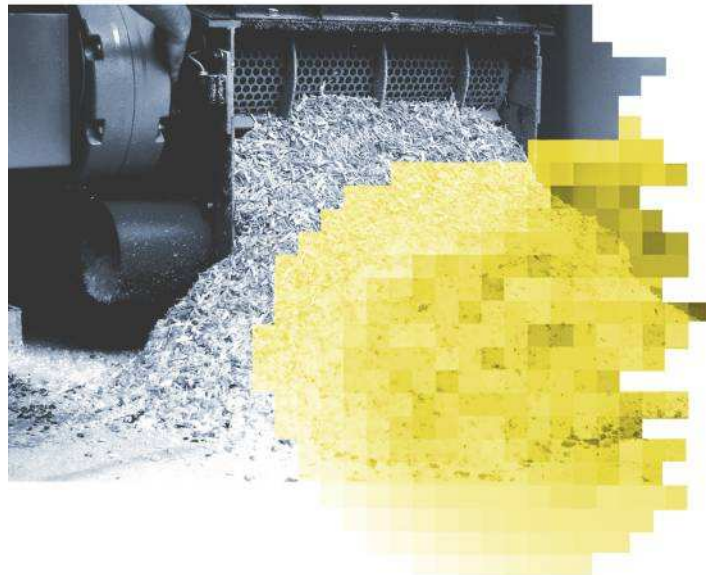
Starting from a 22 kW drive our single-shaft shredders can be equipped with an energy-efficient hydraulic coupling.



Our standard cutting tools can be turned 8 times. Quick and easy change. If a high cutting capacity is required concave cutting tools can be mounted.



The gimbal suspended hydraulic cylinder avoids cross forces and that means no or little wear and tear at the piston packing leathers.



According to the materials and the requirements different screen sizes are available. The shredded material shows a low percentage of fines and has a homogeneous size.

Individual Solutions for our Customers



Plant Engineering

- Washing, separating and drying plants for post-consumer plastic waste
- Grinding plants for the reclamation of metals, for processing cable scrap and for waste recycling
- Plants for recycling rejects from the plastics processing industry
- Units for pulverizing plastics at ambient temperature or under cryogenic conditions

If requested, we shall be able to supply plants made of special materials, e.g. in stainless steel. Wear and shock resistant versions are available..

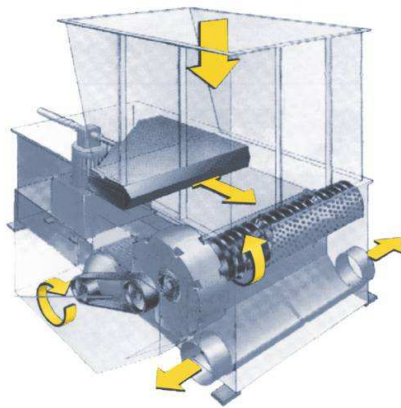
Herbold single-shaft shredders are real work-horses. Our innovative developments in size reduction technology are based on a permanent dialogue with the customer and his special requirements. Tests with your problem material in our technical department will guarantee an optimum selection of the appropriate shredder according to the required application.

Our Herbold single-shaft shredders are equipped with a user-friendly microprocessor control and have all the advantages of an SPS control such as

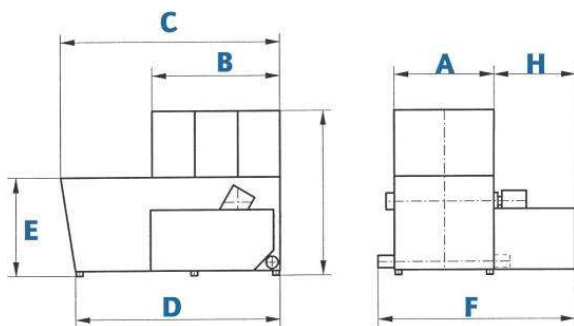
- automatic stop of the shredder if the hopper is empty
- interval control of the pushing device in order to avoid unnecessary no load operations
- overload and material dependent control of the hydraulic pushing device. i.e. the rotor will always be provided with the optimal quantity
- automatic reversing device in case of material pile-up



Convincing and Custom-made Single-Shaft Shredders and Complete Plants



- Slowly running machine with a low noise level. Very often it is possible to do without a sound insulation.
- Long lifetimes of the cutting tools.
- According to the material and the application different knives can be mounted.
- Nicely cut material with low percentage of fines.
- Interval- and quantity-controlled cutting process.
- High output with a small degree of motorization due to an optimum use of the turning moment.
- No extreme peak loads.
- Highly insensitive towards foreign bodies.
- A fully automated functioning without any operators due to the large hopper and the microprocessor command.
- Ideal pre-cutting tool in complete plants.



Our Product Range

- Granulators
- Pulverizers
- Shredders
- Hammer mills
- Guillotines
- Washing units
- Plastcompactors

Different types of the HR series

Type	A mm	B mm	C mm	D mm	E mm	F mm	G mm	H mm
HR 62	620	820	1732	1630	650	1120	1630	410
HR 82	820	1145	2300	2140	930	1700	1620	755
HR 102	1020	1235	2460	2300	930	1890	1650	755
HR 122	1220	1560	2680	2500	1190	2420	1990	1000
HR 152	1520	2000	3900	3600	1220	2800	2520	1040
HR 182	1820	2000	3900	3600	1220	3130	2520	1040
HR 202	2020	2000	3900	3600	1220	3330	2520	1040
HR 222	2220	2000	3900	3600	1220	3530	2520	1040
HR 252	2520	2000	3900	3600	1220	3830	2520	1040
HR 282	2820	2000	3900	3600	1220	4130	2520	1040
HR 302	3020	2000	3900	3600	1220	4330	2520	1040

Specifications are not binding and subject to change without notice.



Herbold Meckesheim GmbH
Industriestrasse 33
D-74909 Meckesheim

Postfach 1218
D-74908 Meckesheim

Phone: +49 (0) 62 26 / 932-0
Fax: +49 (0) 62 26 / 932-495

E-Mail: Herbold@Herbold.com
Internet: www.Herbold.com

Our US-subsiary:

Herbold Meckesheim USA
Resource Recycling Systems Inc.
333 George Washington Highway,
Smithfield Rhode Island 02917

Phone: +1 401-232-3354

or +1 888-612-7774

Fax: +1 401 232 5425

E-Mail: Info@HerboldUSA.net

Internet: www.HerboldUSA.net