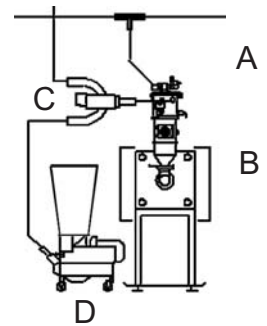


Typical application of direct regrind feedback.

- A Conveying unit
- B Injection molding machine
- C Dosing and blending unit
- D Granulator
- E Two-component proportioning valve

Component D is described below.



Brief Description

Slow running granulator with feed chute, motor overload protection. Easy to maintain and quick to clean. Hinged construction allows easy accessibility to the cutting chamber. The specially profiled rotor knives make adjustments after resharpening no longer necessary. The stator knives can be turned and all 4 edges can be used before they have to be resharpened.

Handles all sprues and rejects from injection molding machines.

- Colortronic granulators are easy to maintain and designed for a 7 day, 24 hour operation.
- Colortronic granulators meet the european "CE" requirements.



Technical Data

Basic Version

- Maintenance free drive
- Horizontal cutting rotor with 33 blades
- 2 stator blades
- Stainless steel suction box with integrated suction probe Ø 40 mm / 1.5 in.
- Hardened perforated screen with 8 mm holes size
- Feed chute
- Overload protection

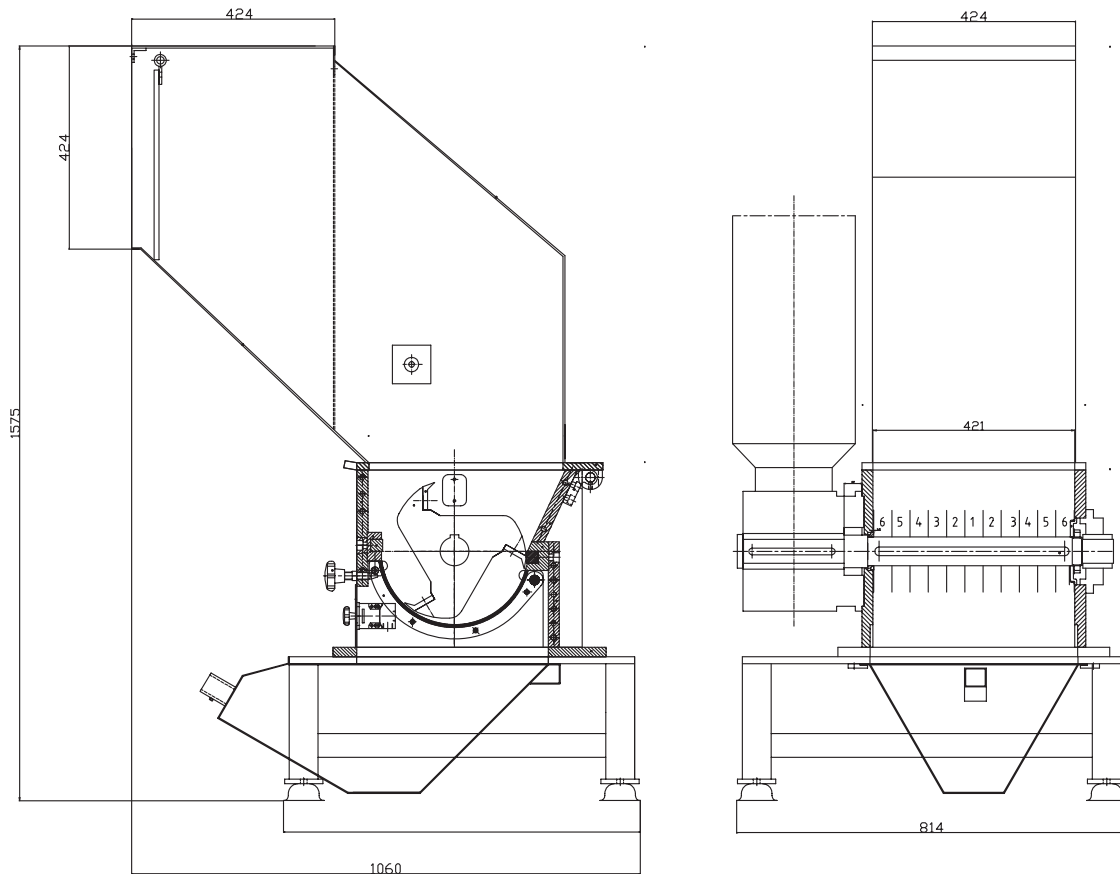
Performance

- Feed opening 400x400 mm
- Rotor speed 150 RPM
- Rotor diameter 300 mm
- Cutting size 400 mm
- Power consumption 7.5 kW
- Voltage 400 V ±10 %, 3 AC, PE, 50 Hz
- Weight appr. 550 kgs

Optional Equipment

- Reinforced blades
- Overfill protection
- Sack fill unit
- Cyclone loader 3.5 kw

Drawing



www.colortronic.com

Colortronic GmbH
Germany

☎ +49 6175 792-0
☎ +49 6175 792-1 79
✉ info@colortronic.de

Colortronic AG
Switzerland

☎ +41 62 889 25 25
☎ +41 62 889 25 26
✉ info@colortronic.ch

Colortronic N.A. Inc.
USA

☎ +1 810 720 73 00
☎ +1 810 720 25 98
✉ ctusa@colortronic.com

Colortronic Systems Pte. Ltd
Singapore

☎ +65 677 77 665
☎ +65 677 88 671
✉ ctasia@colortronic.com

Colortronic s.a.r.l.
France

☎ +33 03 88 59 18 10
☎ +33 03 88 59 18 11
✉ ctfrance@colortronic.com

Colortronic srl
Italy

☎ +39 0 131 87 29 33
☎ +39 0 131 87 29 41
✉ info@colortronic.it

Colortronic U.K. Ltd.
United Kingdom

☎ +44 12 46 260 222
☎ +44 12 46 455 420
✉ sales@colortronic.co.uk

Colortronic Kft. South East Europe
Hungary

☎ +36 263 610 51
☎ +36 263 610 51
✉ kft@colortronic.info