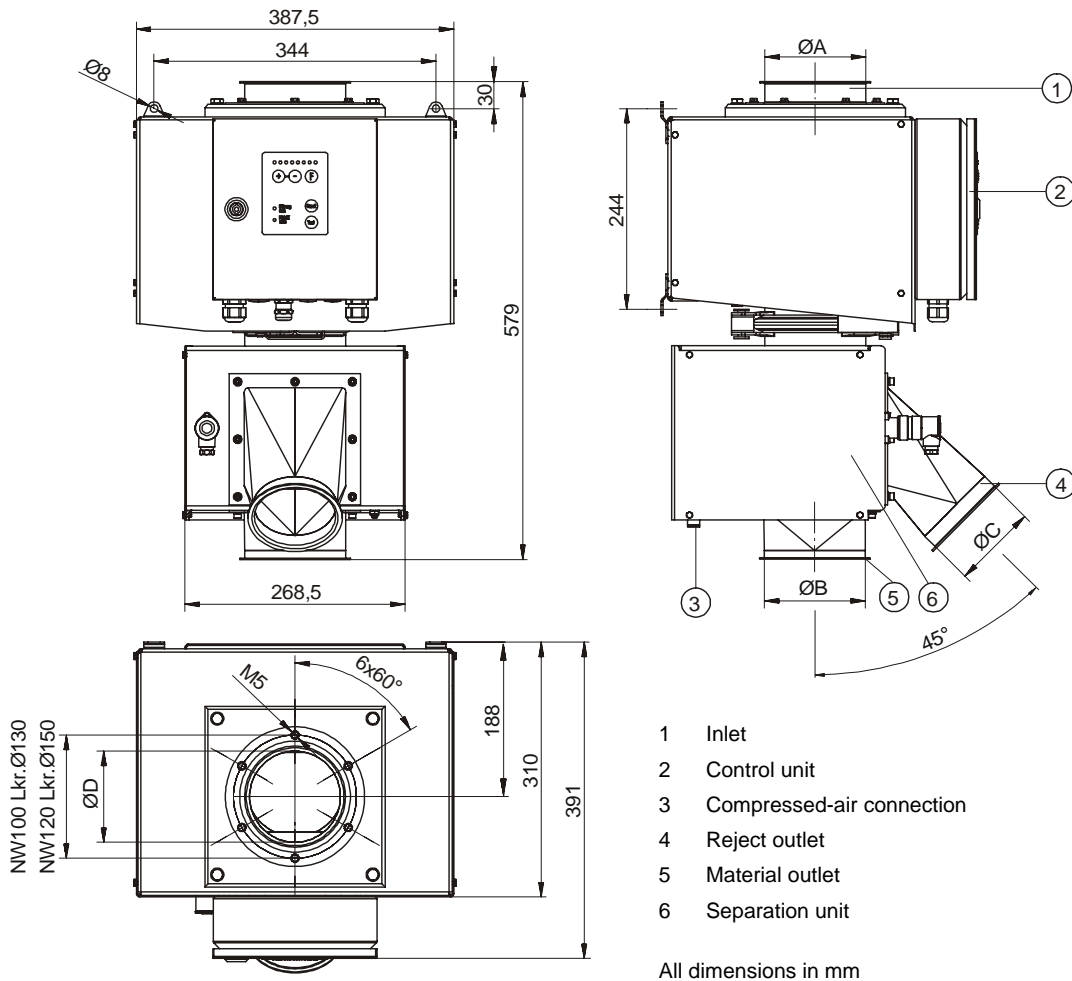


RAPID VARIO 100-120-PRIMUS metal separator

■ Dimensions



■ Technical data

Model number	RAPID VARIO-P 100	RAPID VARIO-P 120
Article number	RV-P100-0	RV-P120-0
Nominal width $\varnothing A$ Jacob system connector	99 mm	119 mm
Nominal width $\varnothing B$ Jacob system connector	99 mm	119 mm
Nominal width $\varnothing C$ Jacob system connector	99 mm	99 mm
Effective ID of inlet pipe $\varnothing D$	99 mm	119 mm
Maximum sensitivity ¹⁾ \varnothing Ferrous ball	0.9 mm	1.0 mm
Maximum throughput ²⁾	12.000 l/h	16.000 l/h
Weight (kg)	31	31

¹⁾ The specified sensitivity (sphere \varnothing in mm) is related to the centre of the detector's aperture (most unfavourable position). The achievable sensitivity within a product depends on its product effect (intrinsic conductivity caused by moisture, carbon content, metal oxides etc.), the product temperature and environmental influences. The detectability of metal particles is also determined by their nature, shape and position.

²⁾ The throughput volume is dependent on the flow characteristics and density of the bulk material as well as the installation location of the metal separator.

■ Conditions of use

- Use:** For inspecting freefalling bulk materials in the plastics industry but also in other industries with similar applications.
- Bulk material characteristics:** Dry, free-flowing, no long fibres, any possible product effect must be able to be tuned out, grain size <8 mm
- Drop height of bulk material:** Max 500 mm above equipment top edge
- Material flow:** No back draft of material
- Bulk material temperature:** Maximum +80° C
- Ambient temperature:** -10° C to +60° C



RAPID VARIO 100-120-PRIMUS metal separator

■ Scope of delivery / Standard design

Scope of delivery:	Metal separator with separate detection and separation units (mounted using Jacob's quick-release fasteners), integral PRIMUS control unit; good and reject material outlets with Jacob's connectors
Operation:	<ul style="list-style-type: none"> • Membrane keypad with 3 keys as well as Reset and Test buttons • Access protection • LED lights for operation, metal alarm and fault
Electronics housing:	Sheet steel, varnished, aluminium grey (RAL 9007)
Detection unit:	Sheet steel, varnished, aluminium grey (RAL 9007)
Separation unit:	Stainless steel 1.4301 (AISI 304), bead blasted
Parts in contact with product:	Stainless steel 1.4301 (AISI 304), aluminium, PE-EL, Teflon, POM
Scanning pipe:	PE-EL
Operating voltage:	100-240 VAC (±10%), 50/60 Hz
Current consumption:	Approx. 160 mA/115 V, approx. 80 mA/230 V
Mains cable:	1.8 m with plug
Compressed air connection:	5-8 bar; 6/8 mm hose connection
Ingress protection:	IP 54 (cover and on site weather protection is necessary)
Compressed air consumption:	0.4 l / switch operation
Eject duration / Reject time:	Adjustable from 0.05 to 29 sec
Scanning sensitivity:	Selectable with 8 adjustments
Self-monitoring system:	Detection coil and outputs
Max. conveying pipe pressure:	Maximum 0.5 bar

■ Options / Accessories

- | | | |
|---|--|---|
| <input type="checkbox"/> Visual alarm | <input type="checkbox"/> Counter (number of detections) | <input type="checkbox"/> Push button for manual rejection |
| <input type="checkbox"/> Failure indication | <input type="checkbox"/> Low-wear scanning pipe | <input type="checkbox"/> Monitor system for diverter |
| <input type="checkbox"/> Failure and metal indication | <input type="checkbox"/> Foodgrade scanning pipe | <input type="checkbox"/> Compressed-air monitor |
| <input type="checkbox"/> Audible alarm | <input type="checkbox"/> Metal parts in touch with product made of stainless steel 1.4301 (AISI 304) | <input type="checkbox"/> Heat resistant version up to 140° C material temperature |
| <input type="checkbox"/> Failure indication | <input type="checkbox"/> Cable set for remote control unit: 3 m, 6 m, 10 m, 15 m | <input type="checkbox"/> Test samples |
| <input type="checkbox"/> Failure and metal indication | <input type="checkbox"/> Filter control valve | <input type="checkbox"/> UL/CSA certificate |
| <input type="checkbox"/> Combination alarm (visual alarm and audible alarm) | | <input type="checkbox"/> US-power cable |
| <input type="checkbox"/> Failure indication | | |
| <input type="checkbox"/> Failure and metal indication | | |

■ Special versions

- | | |
|---|--|
| <input type="checkbox"/> Special varnishes | <input type="checkbox"/> Pipe transition pieces with flanges |
| <input type="checkbox"/> Special supply voltages | <input type="checkbox"/> Free fall height >500 mm |
| <input type="checkbox"/> High abrasive materials | <input type="checkbox"/> Grain size >8 mm |
| <input type="checkbox"/> Explosion-proof version ATEX | <input type="checkbox"/> |

■ Supplementary systems

- | | |
|---|--------------------------------|
| <input type="checkbox"/> Magnet systems for pre-removal of ferrous metals | <input type="checkbox"/> |
| <input type="checkbox"/> Hopper magnet | |
| <input type="checkbox"/> EXTRACTOR inline magnet with connectors for Jacob-pipe | |
| <input type="checkbox"/> Inline chute magnet | |
| <input type="checkbox"/> Magnet drum separator | |